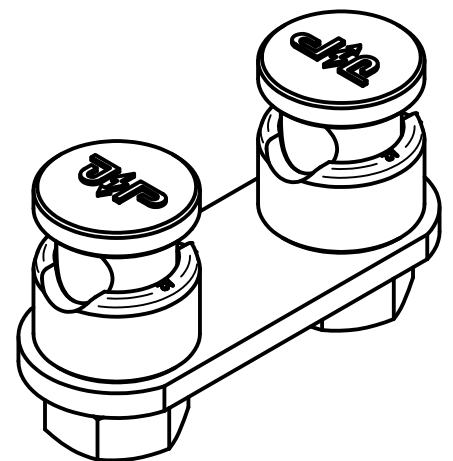
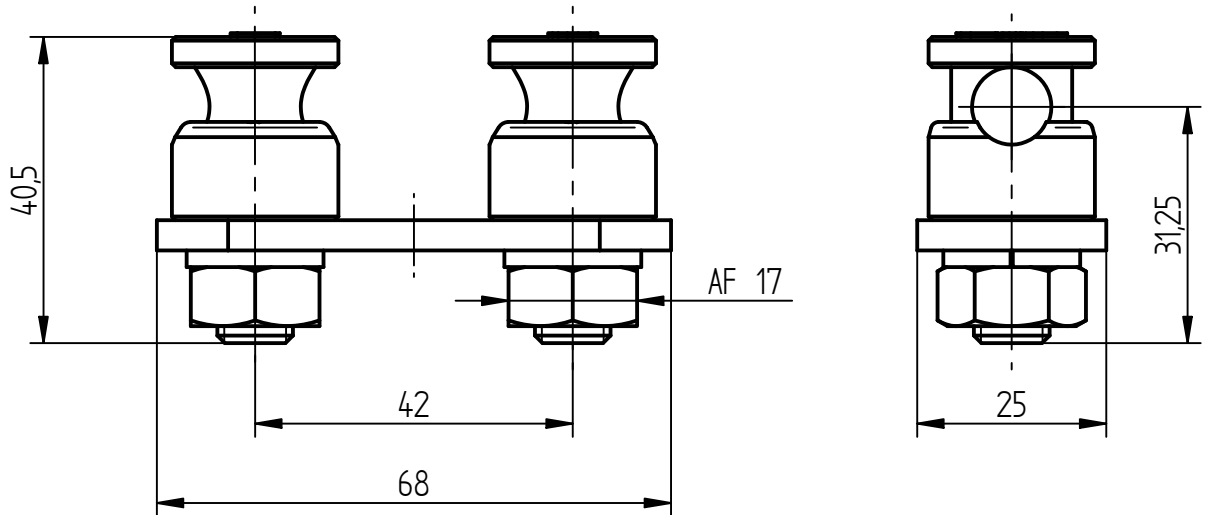


# Product Specification

**Ord.-No.:** **111 370**

**Specification:** KS-Connector, St/tZn, Ø 6-10 mm  
double with Alu-clamping ring

**Performance:** KS-Connector, double according to DIN EN 62561-1 for the connection of round conductors.



Material	St/tZn
KS-screw	Clamping screw M10 with nut, St/tZn
Fit	[2x] Ø 6-10 mm
Clamping ring	Aluminium
Spring lock washer	Stainless steel V2A
Weight	144 g
Standard reference	DIN EN 62561-1
Packing unit	50 units